

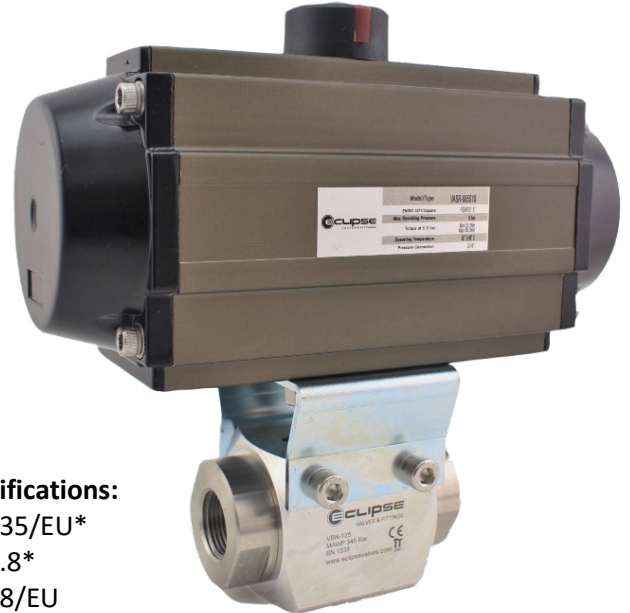
Built on a long history in the alternative fuels market, Eclipse Actuated Ball Valves are designed for dependability in high pressure gas, oil, chemical and process control applications. Configurable depending on the operating temperature, medium, port connection and operation, our actuated ball valves are the most versatile on the market.

Features:

- Tested to 5:1 safety factor
- Anti-blow-out stem
- Bi-directional
- Floating ball principle
- Machined threaded port connections
- Fully serviceable, all kits available

Actuator:

- Air or gas operated
- Extended service temperature -40°C to 85°C
- Rack and pinion design
- Single-acting, spring-return
- Multiple torque settings
- Limit switch option for feedback
- Namur standard connections
- Position indicator



Design Certifications:

- TPED 2010/35/EU*
- ADR 6.7.4.5.8*
- PED 2014/68/EU

Common Models:

Model #	Size	Flow (Cv)	Body Material	MAWP
VBN-086-A	½"	21	Stainless Steel	415 bar
VBN-125-A	¾"	36	Aluminium	345 bar
VBN-165-A	1"	65	Aluminium	345 bar
VBN-242-A	1 ½"	163	Stainless Steel	415 bar

Operating Info:

Actuation Pressure 5-8 barg
 Resting Position Normally Closed (standard)

Temperature:

Standard -35°C to 85°C
 Cold Service -50°C to 135°C
 Hot Service -30°C to 160°C

Port Options:

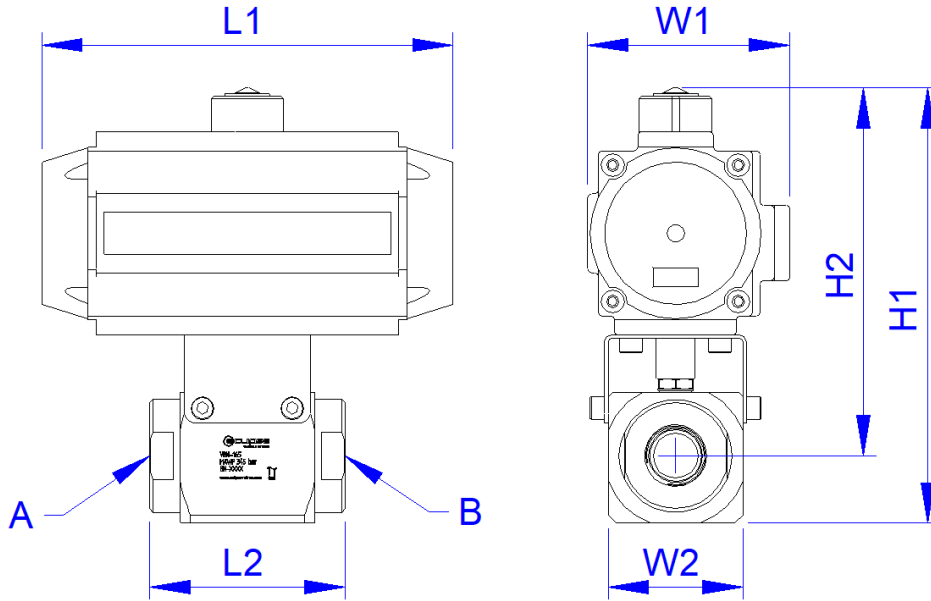
Valves can be assembled with standard port endcaps (FNPT) or a combination of other connections to suit the application.

Options include SAE male or female, BSPP, and BSPT. Minimum quantities may apply.

Materials:

Endcaps Stainless 304
 Ball/Stem Stainless 316
 Seats Delrin AF standard, PEEK available on some models
 O-Rings Nitrile standard, others available

*Design certified only – type approval pending.



Model #	Bore mm	A	B	L1	L2	W1	W2	H1	H2	Weight kg
VBN-086-A	13	½" FNPT	½" FNPT	189	74	90	40	174	155	3.1
VBN-125-A	19	¾" FNPT	¾" FNPT	229	100	113	60	230	200	5.7
VBN-165-A	25	1" FNPT	1" FNPT	229	109	113	75	243	205	6.9
VBN-242-A	38	1 ½" FNPT	1 ½" FNPT	337	150	157	135	327	270	22

Valve Series		Bore Size	Body Type	Seat	Endcap + Stem Seals	Connection 1 Size	Connection 1 Type	Connection 2 (Blank = same as connection 1)	Options
Example part numbers: VBN - 24 2 Q - C2 20SM - A VBN - 16 5 - C - 06 FS - E2 VBN - 04 2 C - 06 FS - E2 VBN - 08 2 P		Part Code: = VBN-242Q-A = VBN-165-C220SM-E2 = VBN-042C-06FS = VBN-082P							
VBN = Standard Range VBH = High Pressure/H2 VBS = Special		04 = 1/4" 06 = 3/8" 08 = 1/2" 12 = 3/4" 16 = 1" 24 = 1-1/2"	2 = 2 Piece Round, SS304 3 = 3 Piece Round, SS304 5 = 3 Piece Square, Aluminium 6 = 3 Piece Square, SS304 *Not all body types are available for all size and port combinations	[blank] = Standard Delrin / PET P = PEEK	[blank] = Nitrile Rubber C = Low-temp Nitrile Rubber (-54C) E = EPDM V = FKM Viton Fluorocarbon Q = FVQM Fluorosilicon (-62C) S = Silicon	[blank] = same as bore 04 = 1/4" 06 = 3/8" 08 = 1/2" 12 = 3/4" 16 = 1" 20 = 1-1/4" 24 = 1-1/2" 32 = 2" For Mixed Ends: Smallest first, in alphabetical order	[blank] = NPT Female both ends NF = NPT Female NM = NPT Male FS = O-ring Face Seal FL = Flareless Bite-type Tube Fitting SF = SAE J1926-1 Female SM = SAE J1926 Male Positionable LF = MP Cone and Thread Female GF = BSP Parallel Female C1 = SAE Code 61 O-ring Flange, Male C2 = SAE Code 62 O-ring Flange, Male JM = JIC/AN 37° Male	[blank] = Clockwise Close, Red Lever Handle Manual Valve Options: B = Base Mount Bracket F = Butterfly Handle L = Lockout Handle P = Incl. Panel Mount Bracket R = Anticlockwise to Close, Lever Handle U = Blue Handle Actuated Valve Options: A = Pneumatic Actuated, Normally Closed AB = Actuated w. Base Mount bracket AN = Pneumatic Actuated, Normally Open ABN = Pneu. Actuated, Normally Open, Base Mount AX = Actuator-ready valve, no bracket E1 = Electric Actuator 120VAC E2 = Electric Actuator 230VAC E3 = Electric Actuator 24VDC	

*Sizes and specifications are subject to change without notice