



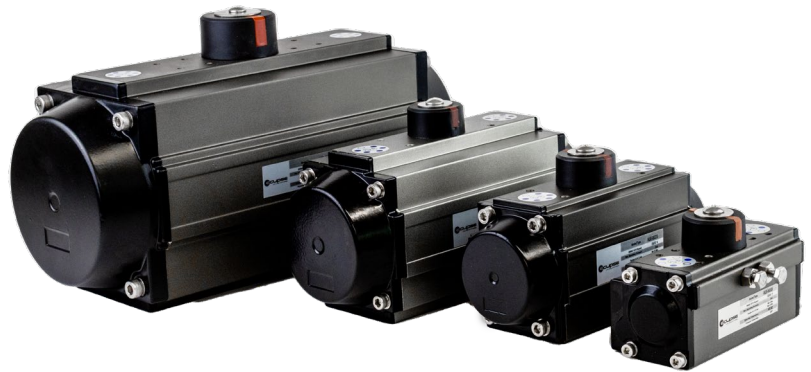
## PNEUMATIC BALL VALVE ACTUATORS

**Eclipse offers a select range of heavy duty actuators for use in a wide range of industries and applications.**

In 2018, Eclipse introduced an improved range of sleek and modern ¼ turn pneumatic ball valve actuators. With thousands of actuated valves installed across the globe, working in the harshest of conditions, Eclipse overhauled its actuator range for trouble-free operation in a wider range of applications. This improved range has shown excellent results especially in low ambient temperature service with both compressed air and gas actuation.

### FEATURES

- ISO-5211 mounting pattern
- Wide operating temperature range  
-40°C to +80°C (-40°F to 176°F)
- Suitable for operation with natural gas, compressed air and other inert gases
- High corrosion resistance
- Single acting, spring return
- Serviceable



Eclipse offers a range accessories including electrical limit switches, mounting hardware and fittings. Please contact the sales team to discuss your requirements if your application is outside our standard range.

Model	Piston Diameter (mm)	Air Volume, Opening (L)	Opening Time (sec)*	Closing Time (sec)*	Weight (kg)
VASR-040S06	40	0.08	0.6	0.8	1.1
VASR-065S10	65	0.19	0.9	0.8	2.21
VASR-085S10	85	0.44	1.0	1.2	4.26
VASR-125S12	125	1.41	2.4	2.4	12.54

TORQUE RATINGS (Nm)												
Model	4.5 Bar		5.5 Bar		6 Bar		7 Bar		8 Bar		Spring Stroke	
	0°	90°	0°	90°	0°	90°	0°	90°	0°	90°	0°	90°
VASR-040S06	4.9	2.0	7.3	4.5	8.6	5.7	11.0	8.2	13.5	10.6	8.6	5.7
VASR-065S10	15.1	6.3	22.7	13.9	26.5	17.7	34.0	25.2	41.6	32.8	26.2	17.4
VASR-085S10	4.1	22.1	58.3	39.3	67.0	48.0	84.2	65.2	101.5	82.5	52.1	33.1
VASR-125S12	-	-	177.0	106.1	205.0	134.0	260.9	190.0	316.9	246.0	193.3	122.4



## COMPATIBILITY

### CURRENT MODELS

Part Number	Corresponding Eclipse Ball Valve Code	
VASR-040S06	1/4", 3/8"	VCN-046-A
VASR-065S10	1/2"	VCN-066-A, VCN-086-A
VASR-085S10	3/4", 1"	VCN-125-A, VCN-165-A
VASR-125S12	1 1/2"	VCN-242-A

TEMPERATURE RANGE: - 40°C TO +80°C

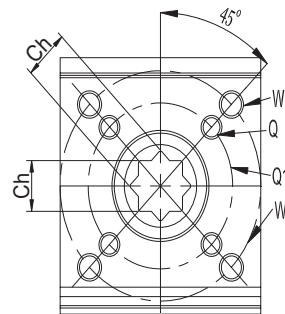
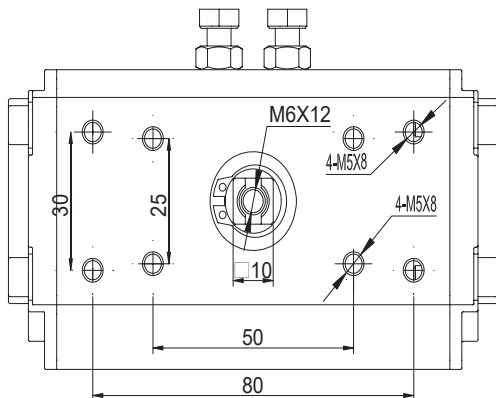
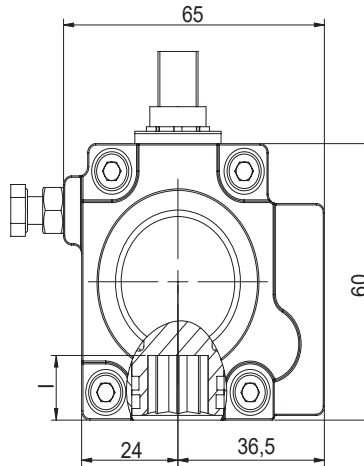
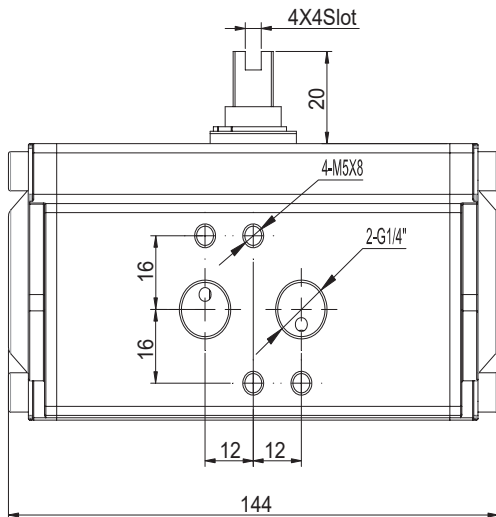
### OLD MODELS

Part Number	Also Known As	Superseded By	Corresponding Eclipse Ball Valve Code	
VASR063-08	VASR-0638	VASR-065S10	1/2"	VCN-086-A, VCN080-A, VCN080-AA
VASR063-08C	VASR-0638C	VASR-065S10	1/2" Cold Climate	Special
VASR083-08	VASR-0838	VASR-085S10	3/4", 1"	VCN-125-A, VCN-1252, VCN120-A, VCN-165-A, VCN-1652, VCN160-A, VCN160-AA
VASR092-08	VASR-0928	VASR-085S10	1" high torque	Special
VASR127-08	VASR-1278	VASR-125S12	1 1/2"	VCN-242-A, VCN240-A



**DIMENSIONS**

**VASR-040S06**



W	M6
W1	50
Q	M5
Q1	36
Ch	11x11
ISO5211	F03/05
I (min)	12

**NOTES:**

\*The indicated opening/closing times are obtained under the following test conditions:

- (1) Room Temperature
- (2) Actuator Stroke 90°
- (3) Solenoid Valve with orifice 4mm and a flow capacity Qn 400L/min
- (5) Medium: Clean air
- (6) Air supply pressure 5.5 bar
- (7) Actuator without external resistance load

In field applications when one or more of the above parameters are different, the actuation time will be different.

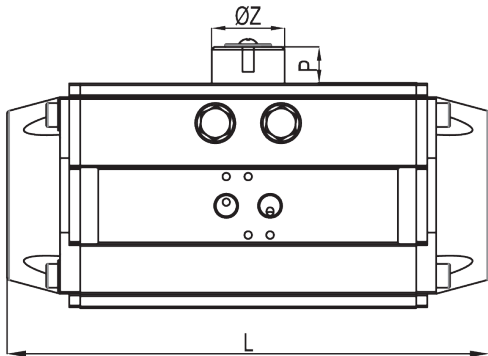
The operating medium must be free of dust and oil. The maximum particle size must not exceed 30um (ISO8573 Part1. Class5)



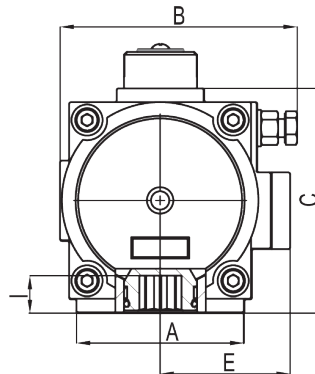
**DIMENSIONS**

**VASR-065 - VASR-125**

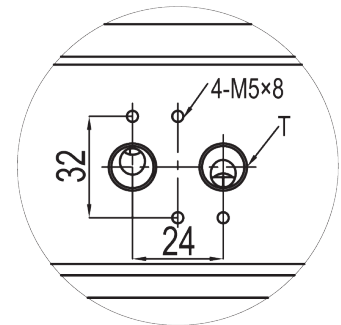
FRONT VIEW



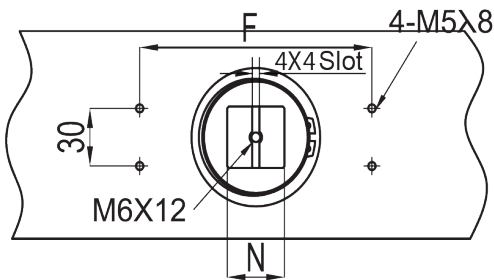
SIDE VIEW



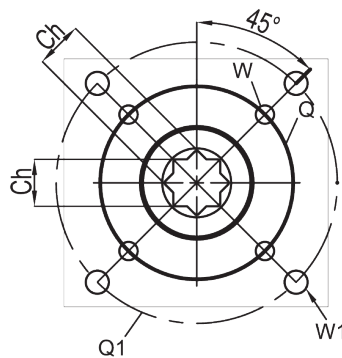
AIR CONNECTION



TOP



BOTTOM



MODEL	A	B	C	L	E	F	P	ØZ	N	I	FLANGE	Q	Q1	W	W1	Ch	T
VASR-065S10	62	89.5	89	189	51.5	80	20	40	10	16	F05/07	50	70	M6 x 9	M8 x 12	14 x 14	G1/4"
VASR-085S10	68	112.5	113	229	63.5	80	20	40	14	19	F05/07	50	70	M6 x 9	M8 x 12	17 x 17	G1/4"
VASR-125S12	96	157	161	337	85	80	30	56	22	25	F07/10	70	102	M8 x 12	M10 x 15	22 x 22	G1/4"

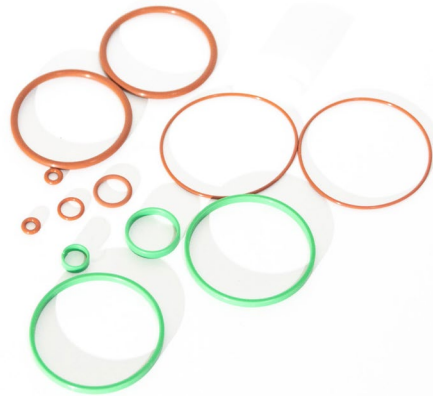


## SERVICE KITS

Eclipse Valves and Fittings ball valve actuator kits contain a range of seals and components to make servicing our actuated ball valves simple and easy.

### KIT INCLUDES

- Thrust washer
- Piston rings
- Rider rings
- Bearing pads
- Circlip



### CURRENT MODELS

Part Number	Service Kit	Corresponding Eclipse Ball Valve Code	
VASR-040S06	VASR-040S06-SK	1/4", 3/8"	VB_-04_, VB_-06_ e.g. VBN-046-A
VASR-065S10	VASR-065S10-SK	1/2"	VBN-086-A
VASR-085S10	VASR-085S10-SK	3/4", 1"	VBN-125-A, VBN-165-A
VASR-125S12	VASR-125S12-SK	1 1/2"	VBN-242-A

### OLD MODELS

Old versions of ball valve actuators are easily identifiable as they have blue end caps.

Part Number	Service kit (incl. Bearings + o-rings)	Seal kit (o-rings only)	Corresponding Eclipse Ball Valve Code	
VASR063-08	VASR063-SK	VASR063-ORK	1/2"	VBN-086-A, VBN080-A, VB080-AA
VASR063-08C	VASR063-SKC	VASR063-ORKC	1/2" Cold Climate	Special
VASR083-08	VASR083-SK	VASR083-ORK	3/4", 1"	VBN-125-A, VBN-1252, VBN120-A, VBN-165-A, VBN-1652, VBN160-A, VB160-AA
VASR083-08	VASR083-SKC	VASR083-ORKC	3/4", 1"	VBN-125-A, VBN-1252, VBN120-A, VBN-165-A, VBN-1652, VBN160-A, VB160-AA
VASR092-08	VASR092-SK	VASR092-ORK	1" high torque	Special
VASR092-08	VASR092-SKC	VASR092-ORKC	1" high torque	Special
VASR127-08	VASR127-SK	VASR127-ORK	1 1/2"	VBN-242-A, VBN240-A
VASR127-08	VASR127-SKC	VASR127-ORKC	1 1/2"	VBN-242-A, VBN240-A