

Eclipse FIJ high-pressure filters are used in applications where reliability and safety is paramount. The FIJ series filters are designed to remove contaminants such as rust, pipe scale, thread tape oil and water from compressed gas. They can be incorporated into CNG systems, compressor lines, dispensing and pressure reduction units.

Features:

MAWP	5000psi (345bar)
Filtration	Coalescing or Particulate
Bowl capacity	140mL
Inlet/Outlet Ports	1" FNPT
Drain Port	1/4" FNPT

Operating Temperatures

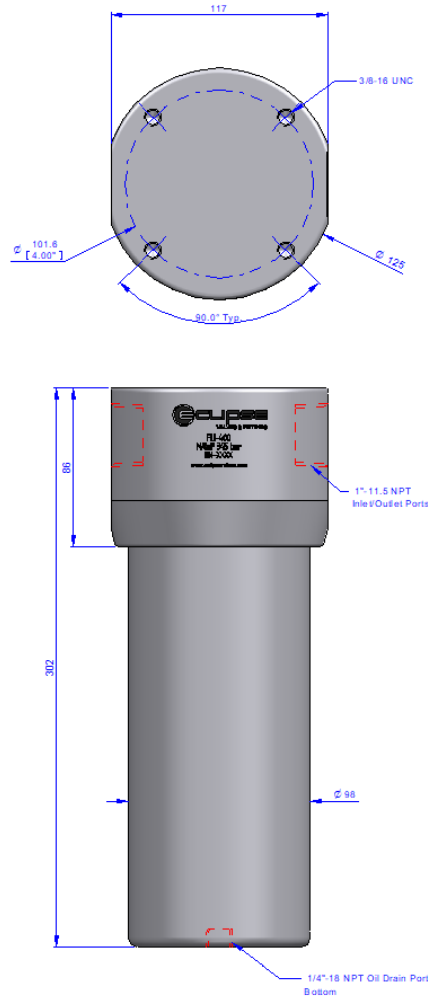
Standard	-20C to +85C
----------	--------------

Materials

Body	304
Stainless Steel	
End Caps	304
Stainless Steel	
Seals	NBR /
FKM	

For configurations specific to your application, or to find out more information, please talk to the team at Eclipse.





Part Code	Element Description	Micron Rating	Filter Media	Replacement Element
FIJ-400	(no element)	-	-	-
FIJ-400-4C	"4C" Fine Coalescing	0.01	Borosilicate	FIE-1015
FIJ-400-10C	"4C" Coarse Coalescing	1	Borosilicate	FIE-1016
FIJ-400-3P	"3P" Particulate	3	Cellulose	FIE-1022